

18.12.19

SUMMATIVE ASSESSMENT-2

Marks : 80

Name : _____

ENGLISH-I

Std-I _____

I. Write the Synonyms:

4x2=8

1. Gently - _____

2. Look - _____

3. Feast - _____

4. Yummy - _____

II. Write the Antonyms:

4x2=8

1. Lose x _____

2. Up x _____

3. Like x _____

4. Day x _____

III. Frame the sentences:

3x2=6

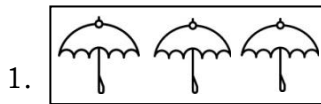
1. Like - _____

2. Play - _____

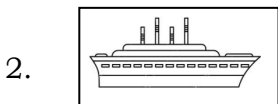
3. Dream - _____

IV. Match the following with the given picture:

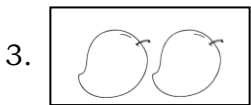
5x1=5



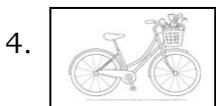
Ride



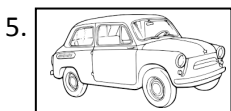
Drive



Sail



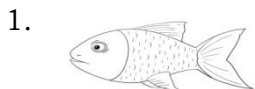
Three



2

V. Tick the correct word:

3x1=3



Apple

Cherry

Fish



Whistle

Lorry

Train




Book


Shoes

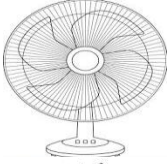
Mat


VI. Write the missing letters:


5x1=5

1. _____ nt 

4. Ca _____ 

2. F _____ n 

5. Ba _____ 

3. P _____ n 

VII. Choose the correct answer:-

5x1=5

1. We do not play on the _____

- a. Park b. beach c. road.

2. Bring your _____ for the fest.

- a. food b. fruits c. vegetables.

3. Fruits are used to make _____.

- a. Rasam b. Pachadi c. Salad.

4. Red says _____

- a. go b. wait c. stop.

5. Kaviya loved to play with an _____.

- a. bus c. car c. aeroplane.

VIII. Who said this line?

3x2=6

1. Look there! It is my friend Kabir. Who said this?

Ans: _____

2. Oh! This is too hot. Who said this?

Ans: _____

3. Come! Let us fly over the city. Who said this line?

Ans: _____

IX. Write the Rhyming words:

4x1=4

1 Pin - _____

2. Net - _____

3. Cap - _____

4. Rat - _____

X. Circle the odd one:

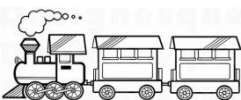
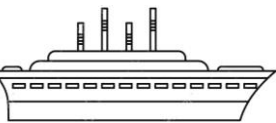

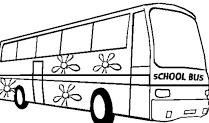

5x1=5

1. Tomato Onion Orange
2. Tap Cap Mat
3. Elephant Duck Cow
4. Chick Doll Ball
5. Fish Apple Cherry

XI. Choose the correct words from the box and write it:

5x1=5

Bus, ship, train, car, aeroplane.

1.  _____
2.  _____
3.  _____
4.  _____
5.  _____

XII. Answer the following:

5x2=10

1. What did Kaviya's Aunt give her?

Ans: _____

2. Name any two food items prepared by the animals.

Ans: _____

3. Where should we cross the road?

Ans: _____

4. Who celebrated the forest day?

Ans: _____

5. Name the colours that are seen in traffic light.

Ans: _____

XIII. Hots: Choose the correct answer:

5x2=10

1. Join the letters and find the word. Sh- eep. _____

- a. ship b. sheep c. sail

2. I am a vegetable. I am green & spicy. Who am I? _____

- a. Lemon b. Chilli c. Brinjal

3. I carry lot of people. You find me in seas. Who am I? _____

- a. Aeroplane b. Ship c. Car

4. Which Vegetable is used to make Halwa? _____

- a. Carrot b. Onion c. Brinjal

5. Young one of cow is _____

- a. Chick b. Calf c. Cub