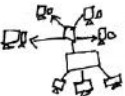


I. Choose the correct answer: 10x1=10

1. Software is a _____.
 - a. Set of program
 - b. Set of instruction
 - c. Set of commands
 - d. Physical parts
2. Expansion of ROM _____.
 - a. Read Only Memory
 - b. Random Only Memory
 - c. Read Only Machine
 - d. Random Only Machine
3. Identify the picture.
 
 - a. Network Computer
 - b. PC
 - c. Micro Computer
 - d. Main Frame
4. Which of the following is not an input device.
 - a. Keyboard
 - b. Monitor
 - c. Light Pen
 - d. MOUSE
5. Expansion of RAM.
 - a. Read Only Memory
 - b. Random Only Memory
 - c. Read After Memory
 - d. Random After Memory
6. Computer is an _____ device.
 - a. Electronic
 - b. Electrical
 - c. Elementary
 - d. Elastic
7. 8 Bits = _____Byte
 - a. 1
 - b. 4
 - c. 8
 - d. 2
8. _____ is a device that prints text on paper.
 - a. Graphics
 - b. Printer
 - c. Laser
 - d. Device
9. Pendrive is a type of _____.
 - a. Hard disk
 - b. Storage device
 - c. Commands
 - d. RAM
10. _____ is another term for the display screen.
 - a. Screen
 - b. Monitor
 - c. Touch Pad
 - d. Disk

II. Fill in the blanks : 10x1=10

1. Monitor is an _____ device.
2. _____ is an father of computer.
3. Computer is an _____ device.
4. RAM is _____ Memory.
5. Expansion of CPU is _____.
6. _____ computers can process several million program instructions per second.
7. 1024 KB = _____.
8. Computers do not think by _____.
9. A joystick is similar to _____.

10. Data → Process → _____

III. Match the following:

8x1=8

- | | | |
|------------------|---|----------------|
| 1. 1 character | - | 1 Giga Byte |
| 2. 8 Bits | - | 1 Mega Byte |
| 3. 1024 Bytes | - | 1 Byte |
| 4. 1024 KB | - | 1 Kilo Byte |
| 5. 1024 MB | - | 8 Bits |
| 6. Laser Printer | - | Input Device |
| 7. Pendrive | - | Laser beam |
| 8. Mouse | - | Storage Device |

IV. Write True or False:

6x1=6

1. Scanner is an Output device.
2. Binary number system is 2 and 1.
3. 1 Character is equal to 16 bits.
4. ROM is a Random Access Memory.
5. Process of data is called Output.
6. First Generation Computers are very large in size.

V. Match the expansion the following:

6x1=6

- | | | |
|--------|---|-----------------------|
| 1. TB | - | Control unit |
| 2. CU | - | Main Memory |
| 3. MM | - | Read Only Memory |
| 4. ROM | - | Terra Byte |
| 5. ALU | - | Memory Unit |
| 6. MU | - | Arithmetic Logic Unit |

VI. Missing Letters:

6x1=6

1. P R ___ G ___ A M
2. S C ___ N ___ E R
3. C ___ M P ___ T ___ R
4. S O ___ T W ___ R E
5. S P ___ A ___ E R
6. C ___ N T ___ O L

VII. Name the Picture:

4x1=4

